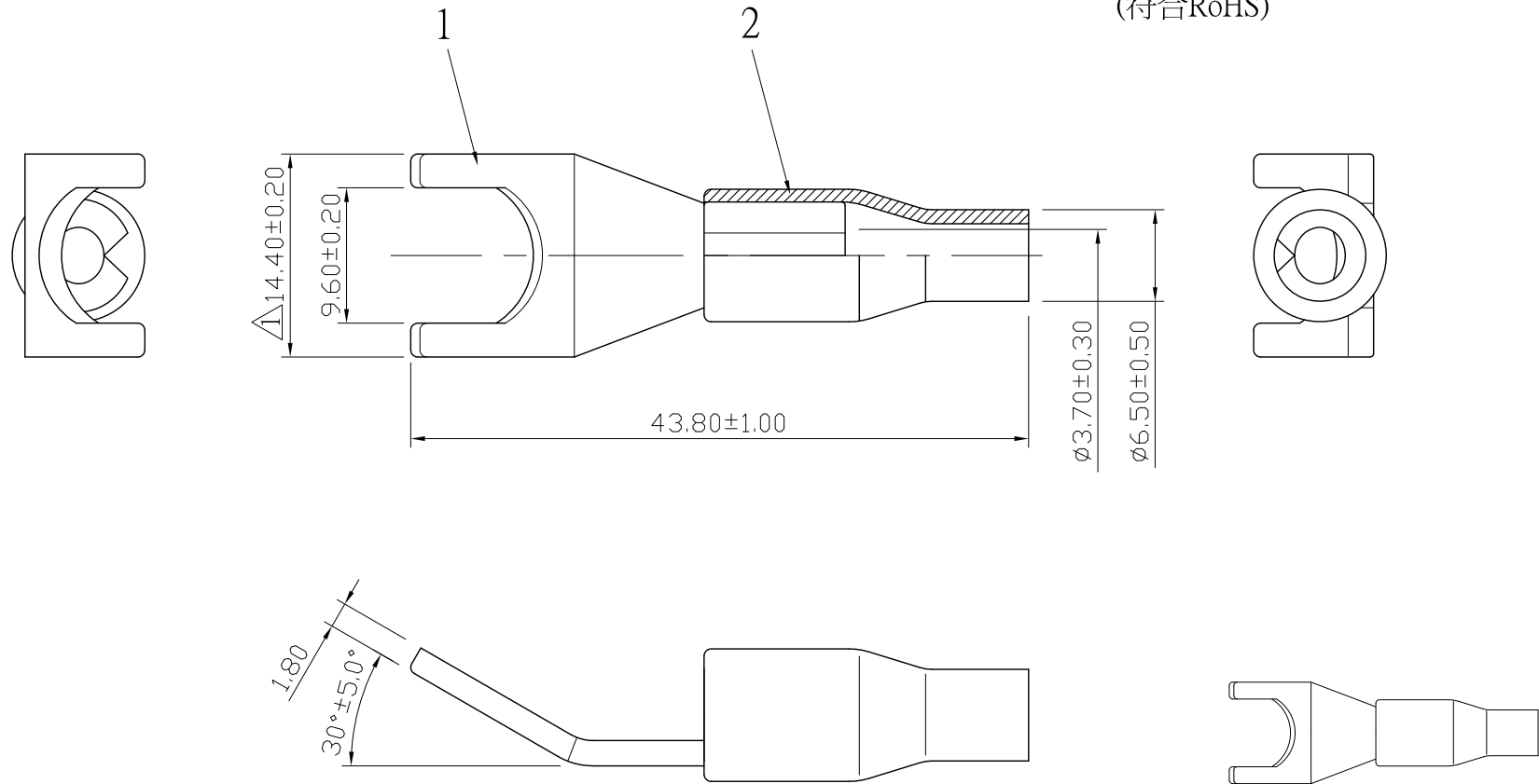



No.	DATE	DESCRIPTION	REV
△	2009. 12. 18	Original dimation 14.40	A

REMARK : RoHS REQUIREMENT APPLIED  
(符合RoHS)



S 1 : 1

7						DIMENSIONS ARE IN MILLIMETERS  UNLESS OTHERWISE PECIFIED TOLERANCES (一般公差) 0.5~6 = ±0.2 >6~30 = ±0.4 >30~120 = ±0.6 >120~315 = ±1 >315~1000 = ±1.6 ANGLES(角度) = ±5°	CHECKED	 雅鈦企業有限公司 Aec Connectors Co., Ltd.	
6									TITLE
5									CABLE TERMINAL
4								DRAWN	DRAWING NO.
3								Lala	CT-262BK/RDsoPLG-9.6-30-3.7
2	shell	1	soft plastic	red/black				DATE	FILE NO. DRAWING\AUDIO\CT\CT-262BK/RDsoPLG-9.6-30-3.7
1	body	1	copper	gold				2009. 09. 09	
NO.	Description	Unit	Materials	Finish	Drawing No.	SCALE	2 : 1	UNIT	MM