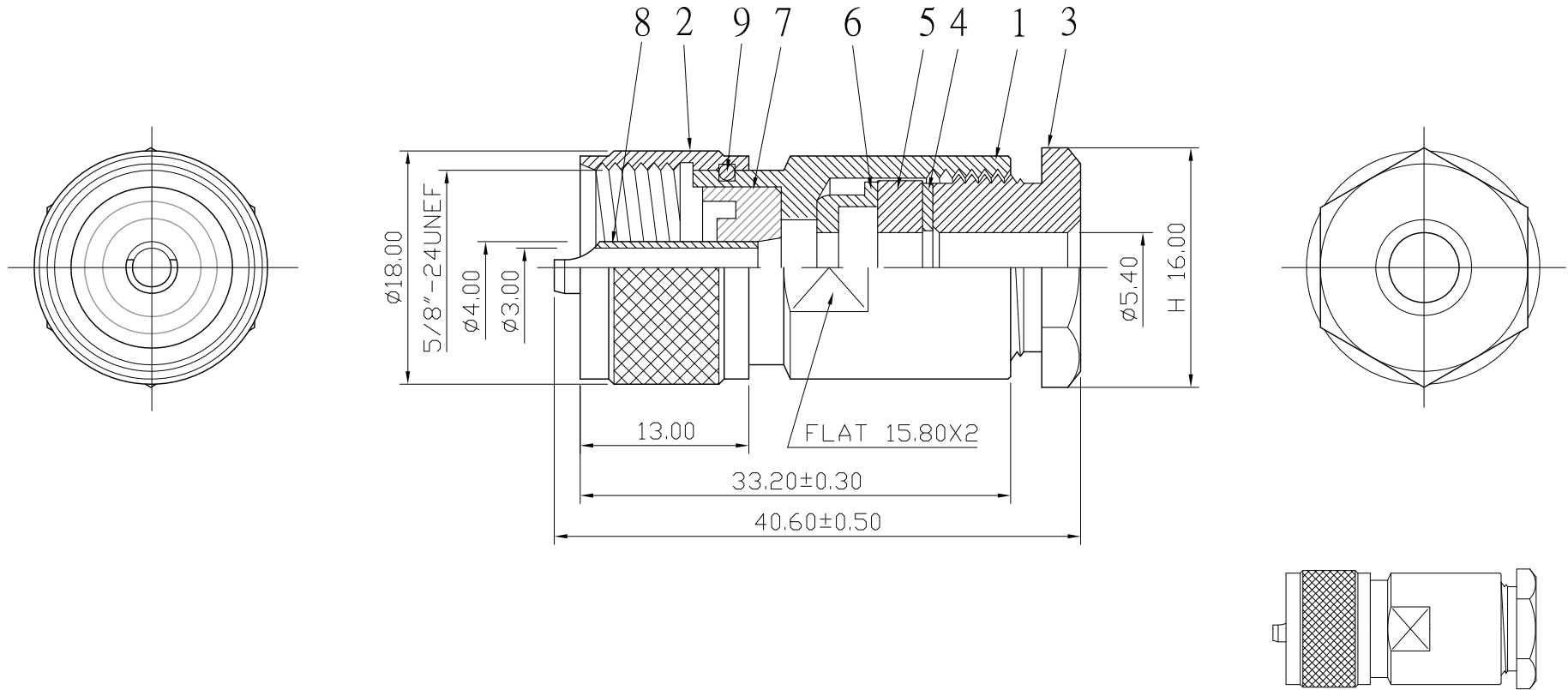


No.	DATE	DESCRIPTION	REV	REMARK : RoHS REQUIREMENT APPLIED (符合RoHS)	DATE	DRAWING NO.
-----	------	-------------	-----	---	------	-------------




S 1 : 1

9	washer	1	brass	none	
8	contact pin	1	brass	gold	
7	insulator	1	delrin	white	
6	washer	1	brass	nickel	
5	gasket	1	rubber	red	
4	washer	1	brass	nickel	
3	screw	1	brass	nickel	
2	shell	1	brass	nickel	
1	body	1	brass	nickel	
NO.	Description	Unit	Materials	Finish	Drawing No.

DIMENSIONS ARE IN MILLIMETERS
UNLESS OTHERWISE SPECIFIED
TOLERANCES
(一般公差)
0.5~6 = ±0.2
>6~30 = ±0.4
>30~120 = ±0.6
>120~315 = ±1
>315~1000 = ±1.6
ANGLES(角度) = ±5°

CHECKED

DRAWN
Chad
DATE
2009. 03. 13

 雅鈦企業有限公司
Aec Connectors Co., Ltd.

TITLE
UHF MALE CLAMP TYPE FOR RG-58/U

DRAWING NO.
US-1009NDG-SD1110

FILE NO. DRAWINGARFVUSUS-1009NDG-SD1110

SCALE 2 : 1 UNIT MM