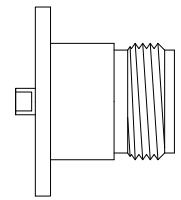
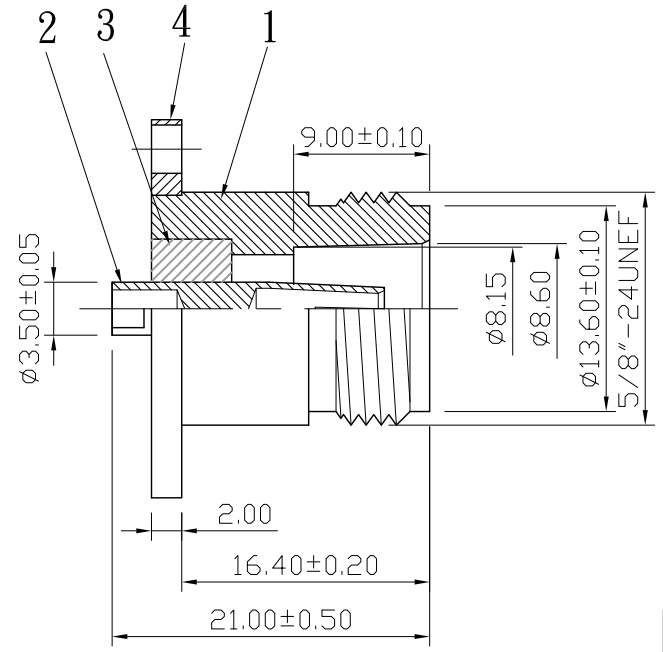
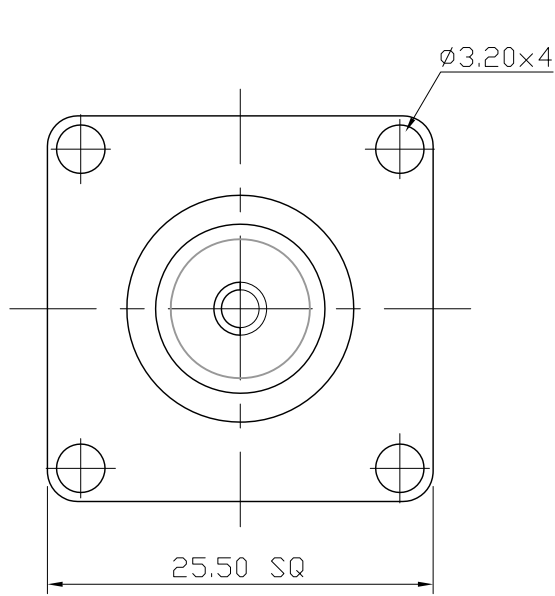



No.	DATE	DESCRIPTION	REV	REMARK : RoHS REQUIREMENT APPLIED (符合RoHS)	DATE	DRAWING NO.
-----	------	-------------	-----	---	------	-------------



S 1 : 1

1.THE SPEC OF THE BEVEL WHICH WITHOUT REMARK IS  $0.2\text{mm} \times 45^\circ$   
(未標註之倒角尺寸為  $0.2\text{mm} \times 45^\circ$ )

2.TOLERANCE IS  $\pm 0.08\text{mm}$  UNLESS OTHER WISE SPECIFIED, TOLERANCE OF THE DIAMETER IS  $\pm 0.03\text{mm}$   
(未標註之公差長度為  $\pm 0.08\text{mm}$ , 直徑為  $\pm 0.03\text{mm}$ )

7						DIMENSIONS ARE IN MILLIMETERS UNLESS OTHERWISE SPECIFIED TOLERANCES (一般公差) $0.5 \sim 6 = \pm 0.2$ $>6 \sim 30 = \pm 0.4$ $>30 \sim 120 = \pm 0.6$ $>120 \sim 315 = \pm 1$ $>315 \sim 1000 = \pm 1.6$ ANGLES(角度) = $\pm 5^\circ$	CHECKED	 雅鈦企業有限公司 Aec Connectors Co., Ltd.	
6					DRAWN <i>Lala</i>				TITLE N FEMALE PANEL RECEPTACLE
5							DATE 2008. 07. 24		DRAWING NO. NS-1015NTG-SE0025
4	panel	1	brass	nickel			FILE NO.		DRAWING\RF\NS\NS-1015NTG-SE0025
3	insulator	1	teflon	white					
2	contact pin	1	brass	gold					
1	body	1	brass	nickel					
NO.	Description	Unit	Materials	Finish	Drawing No.	SCALE	2 : 1	UNIT	MM