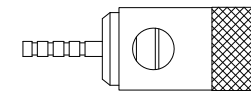
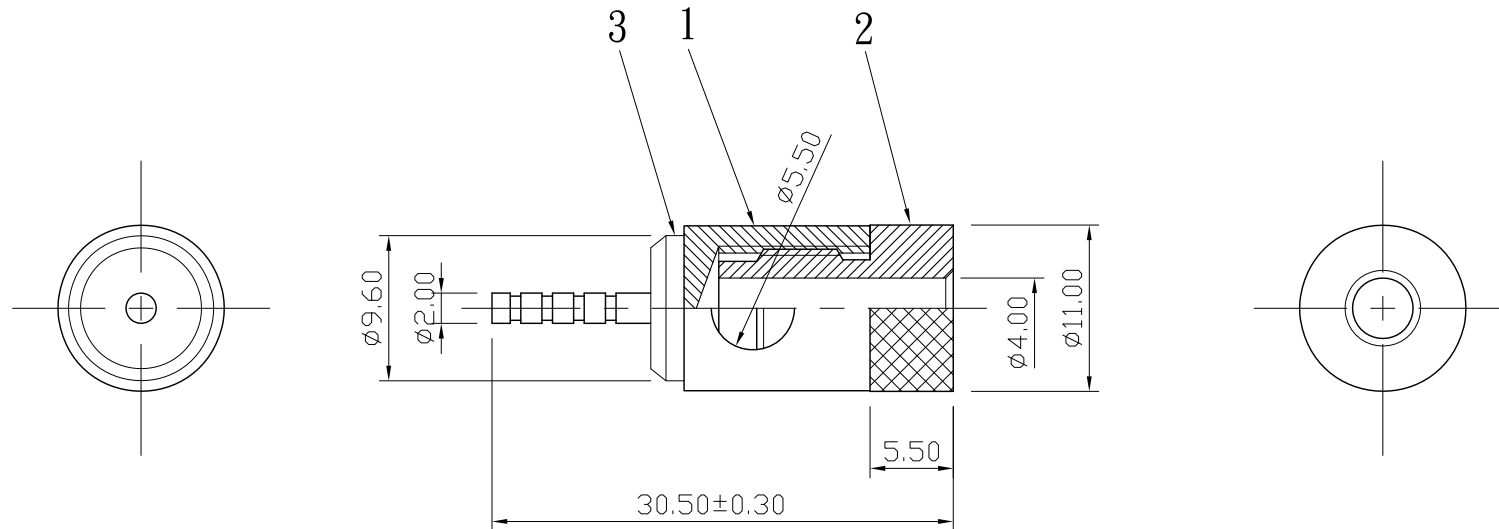


REMARK : RoHS REQUIREMENT APPLIED
(符合RoHS)



S 1 : 1

NO.	Description	Unit	Materials	Finish	Drawing No.	SCALE	2 : 1	UNIT	MM	CHECKED	DATE	FILE NO.
-						DIMENSIONS ARE IN MILLIMETERS UNLESS OTHERWISE SPECIFIED TOLERANCES (一般公差) 0.5~6 = ±0.2 >6~30 = ±0.4 >30~120 = ±0.6 >120~315 = ±1 >315~1000 = ±1.6 ANGLES(角度) = ±5°						
-												
-												
-												
3	gasket	1	plastic	red/black								
2	headlock	1	brass	gold								
1	body	1	brass	gold								



雅鈦企業有限公司
Aec Connectors Co., Ltd.

TITLE TIP PLUG
DRAWING NO. TP-107GG-SH5.5-RD/BK-4.0
FILE NO. DRAWING\AUDIO\TP\TP-107GG-SH5.5-RD/BK-4.0