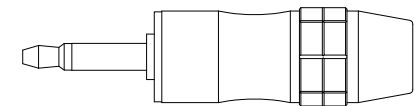
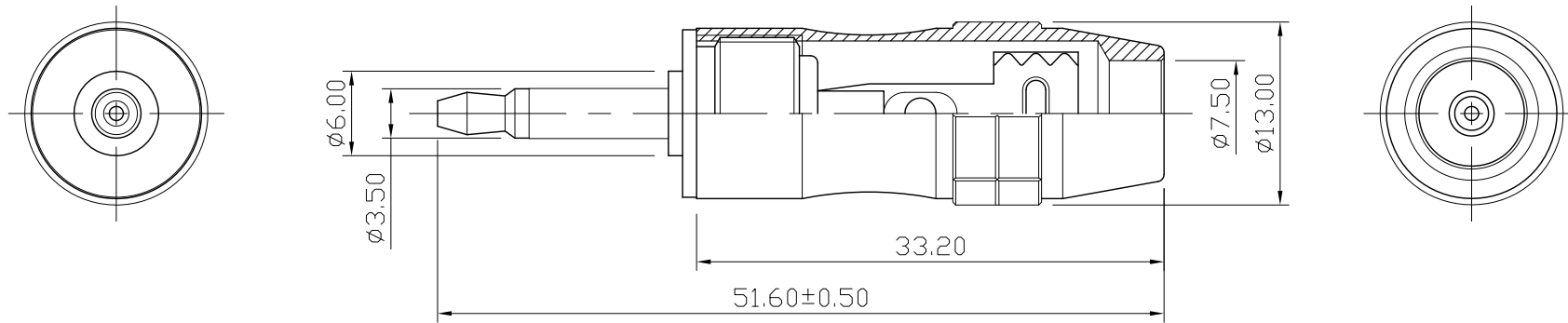



REMARK : RoHS REQUIREMENT APPLIED
(符合RoHS)



S 1 : 1

NO.	Description	Unit	Materials	Finish	Drawing No.	SCALE	2 : 1	UNIT	MM	CHECKED	DATE	FILE NO.			
-	clip	1	brass	gold		DIMENSIONS ARE IN MILLIMETERS UNLESS OTHERWISE PECIFIED (一般公差) 0.5~6 = ± 0.2 >6~30 = ± 0.4 >30~120 = ± 0.6 >120~315 = ± 1 >315~1000 = ± 1.6 ANGLES(角度) = $\pm 5^\circ$					2014. 05. 07				
-	insulator	1	PTFE	white											
-	shell	1	brass	satın silver											
-	contact pin	1	brass	gold											
-	body	1	brass	gold											
-															
											 雅鈦企業有限公司 Aec Connectors Co., Ltd.				
											TITLE	FIBER OPTIC PLUG			
											DRAWING NO.	FOP-202SSG-TEF-7.5			
											DRAWING NO.	DRAWING\AUDIO\FOP\FOP-202SSG-TEF-7.5			