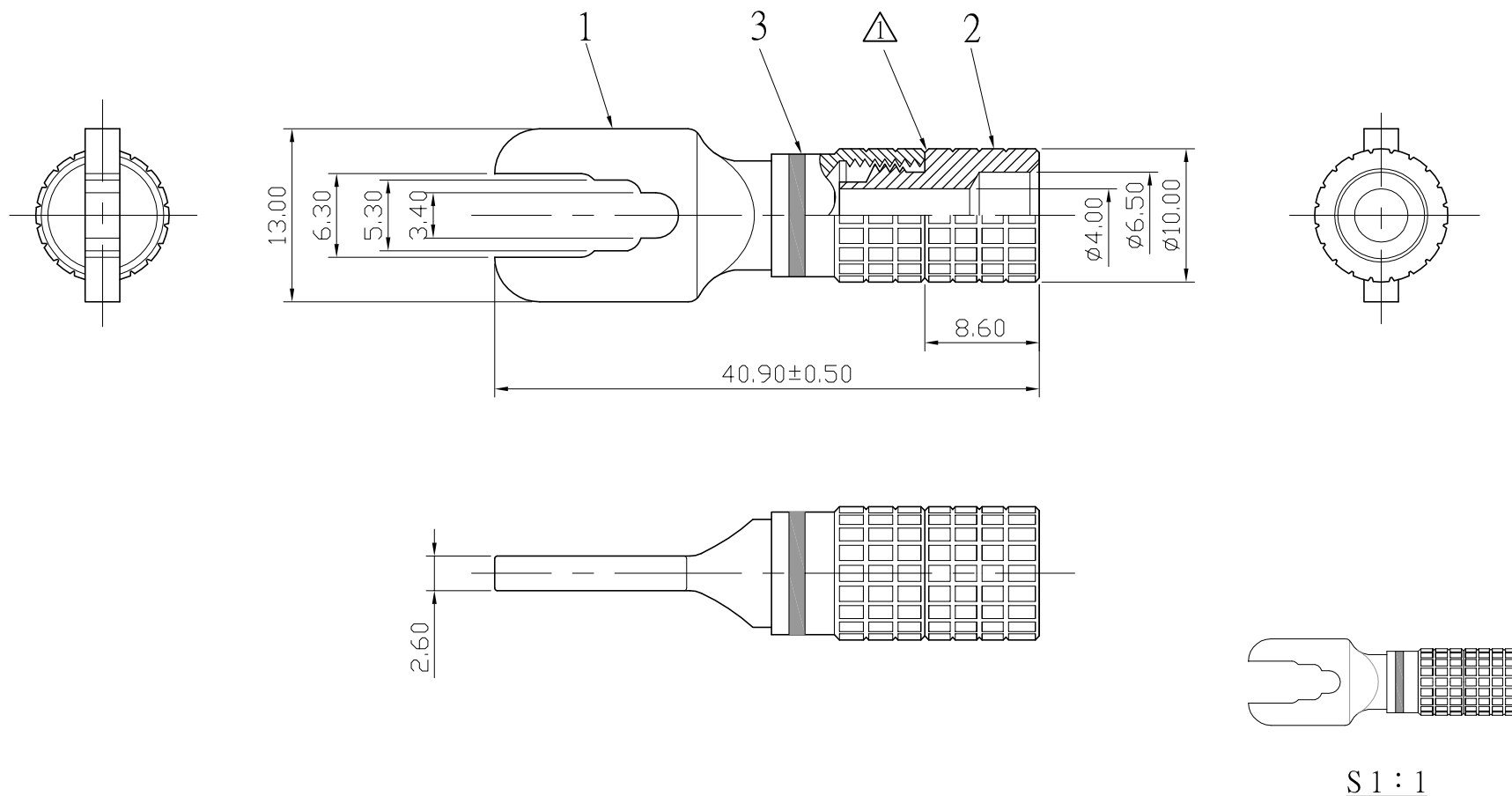



No.	DATE	DESCRIPTION	REV
△1	2008. 03. 31	Design changed (設計變更)	A
△2	2015. 07. 06	Material revised (材質修正)	B
△3	2015. 07. 10	Drawing revised (圖面修正)	C

REMARK : RoHS REQUIREMENT APPLIED
(符合RoHS)



7						DIMENSIONS ARE IN MILLIMETERS	CHECKED	 雅鈦企業有限公司 Aec Connectors Co., Ltd.
6								
5						SCALE 2 : 1 UNIT MM	DRAWN <i>Jim</i> DATE 2008. 02. 21	DRAWING NO. CT-101G-6.3-RD/BK/BE/WE/YW/GN-4.0
4								FILE NO. DRAWING\AUDIO\CT\CT-101G-6.3-RD/BK/BE/WE/YW/GN-4.0
3	color ring	1	painting	red/black/blue white/yellow/green				
2	headlock	1	brass	gold				
1	body	1	zinc alloy	gold				
NO.	Description	Unit	Materials	Finish	Drawing No.			