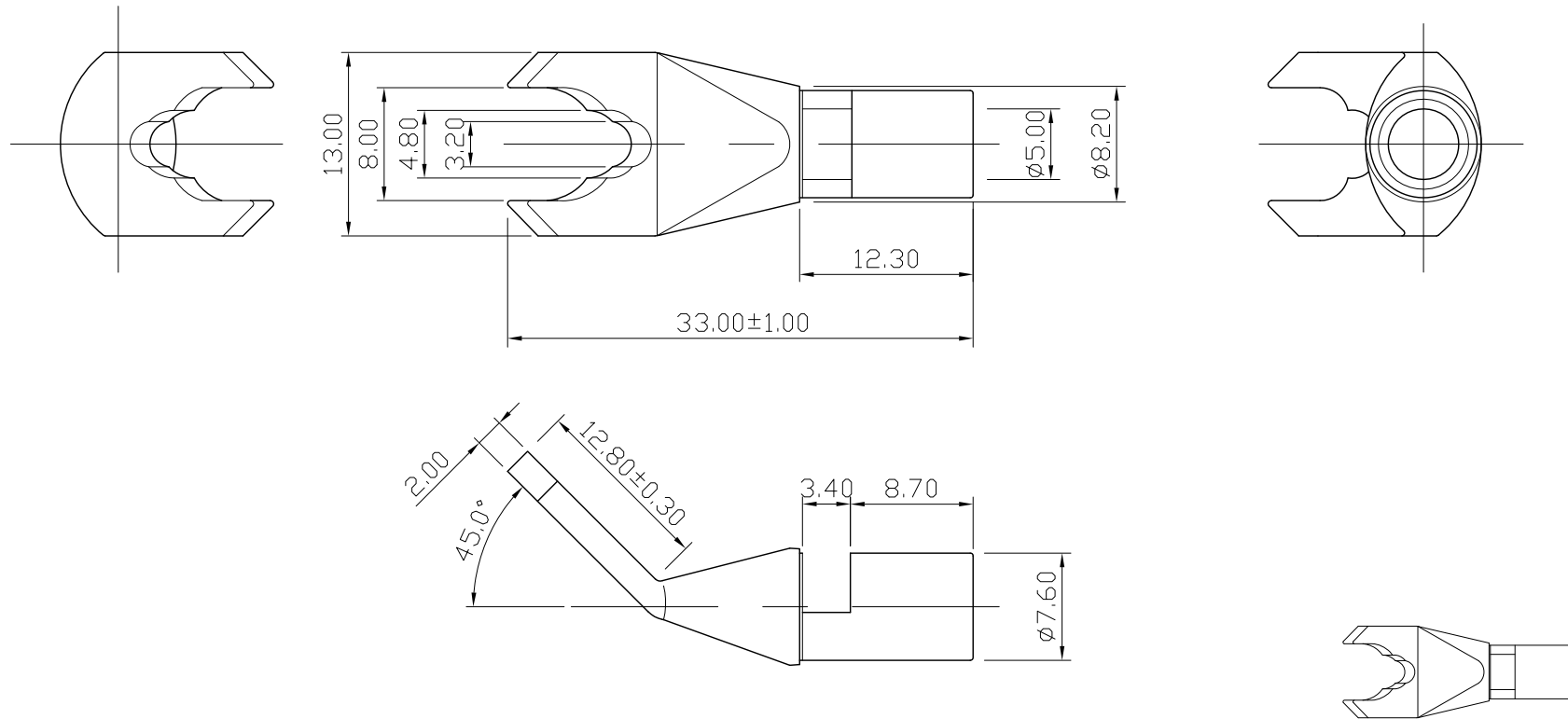



No.	DATE	DESCRIPTION	REV
△	2013. 05. 28	Drawing to renew 圖面更新	A

REMARK : RoHS REQUIREMENT APPLIED  
(符合RoHS)



S 1 : 1

7						DIMENSIONS ARE IN MILLIMETERS  UNLESS OTHERWISE PECIFIED TOLERANCES (一般公差) $0.5 \sim 6 = \pm 0.2$ $>6 \sim 30 = \pm 0.4$ $>30 \sim 120 = \pm 0.6$ $>120 \sim 315 = \pm 1$ $>315 \sim 1000 = \pm 1.6$ ANGLES(角度) = $\pm 5^\circ$	CHECKED	 <b>雅鈦企業有限公司</b> Aec Connectors Co., Ltd.		
6					DRAWN		TITLE			
5							<i>Jim</i>	CABLE TERMINAL		
4								DRAWING NO.		
3								CT-201G-8.0-45-5.0		
2								FILE NO.		
1	body	1	brass	gold			DATE	DRAWING\AUDIO\CT\CT-201G-8.0-45-5.0		
NO.	Description	Unit	Materials	Finish	Drawing No.	SCALE	2 : 1	UNIT	MM	2008. 02. 27