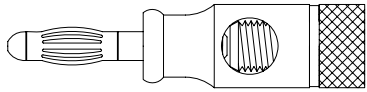
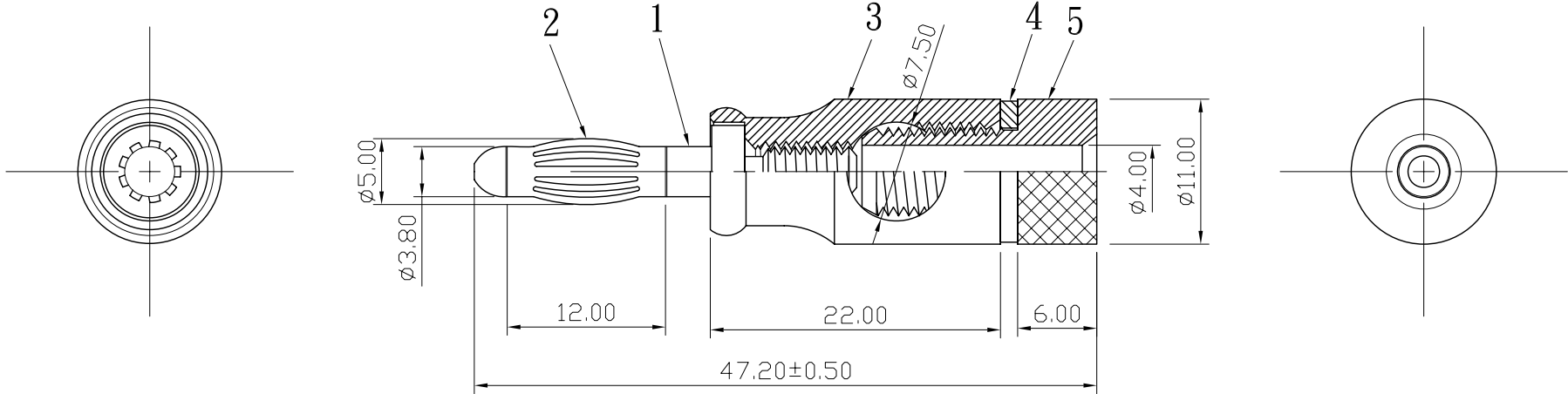


REMARK : RoHS REQUIREMENT APPLIED
(符合RoHS)



S 1 : 1

| | | | | | | | | | |
|-----|-------------|------|------------------|-----------|-------------|---|--------------|--|-------------|
| 7 | | | | | | DIMENSIONS ARE IN MILLIMETERS UNLESS OTHERWISE PECIFIED TOLERANCES (一般公差) 0.5~6 = ±0.1 >6~30 = ±0.15 >30~120 = ±0.2 >120~315 = ±0.3 >315~1000 = ±0.4 ANGLES(角度) = ±3° | APPROVED | 雅鈦企業有限公司 Aec Connectors Co., Ltd. | |
| 6 | | | | | CHECKED | | TITLE | | |
| 5 | headlock | 1 | brass | gold | | | DRAWN | | BANANA PLUG |
| 4 | gasket | 1 | plastic | black/red | | | <i>Tina</i> | DRAWING NO. | |
| 3 | shell | 1 | brass | gold | | | DATE | BP-116GG(BeCu)-SH7.5-BK/RD-4.0 | |
| 2 | contact pin | 1 | beryllium copper | gold | | | 2008. 01. 29 | FILE NO. DRAWING\AUDIO\BP\BP-116GG(BeCu)-SH7.5-BK/RD-4.0 | |
| 1 | body | 1 | brass | gold | | | | | |
| NO. | Description | Unit | Materials | Finish | Drawing No. | SCALE | 2 : 1 | UNIT | MM |