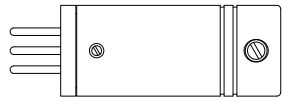
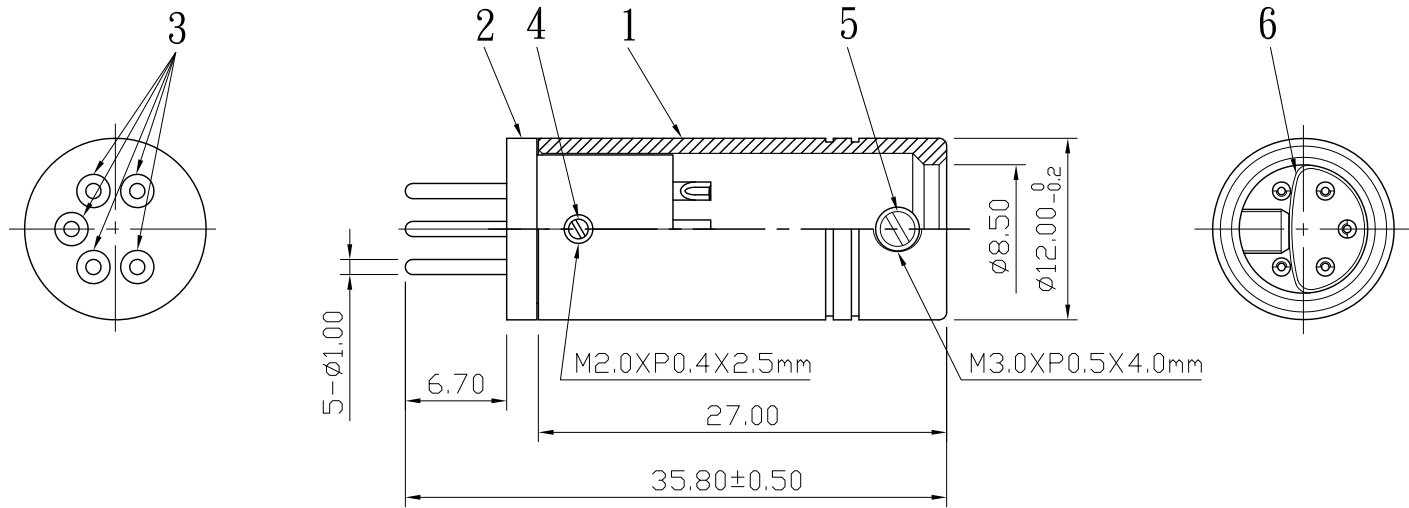



REMARK : RoHS REQUIREMENT APPLIED
(符合RoHS)



S 1 : 1

7						DIMENSIONS ARE IN MILLIMETERS UNLESS OTHERWISE SPECIFIED TOLERANCES (一般公差) 0.5~6 = ±0.2 >6~30 = ±0.4 >30~120 = ±0.6 >120~315 = ±1 >315~1000 = ±1.6 ANGLES(角度) = ±5°	CHECKED	 雅鈦企業有限公司 Aec Connectors Co., Ltd.	
6	sleeve	1	PVC	transparent					DRAWN <i>Chad</i>
5	screw	1	brass	nickel			DATE 2018.07.11		
4	screw	1	brass	nickel					FILE NO. DRAWING\AUDIO\DPDP-501ATG-TEF-8.5
3	contact pin	5	brass	gold					
2	insulator	1	PTFE	white					
1	shell	1	aluminum	clear anodic treatment					
NO.	Description	Unit	Materials	Finish	Drawing No.	SCALE 2 : 1	UNIT	MM	