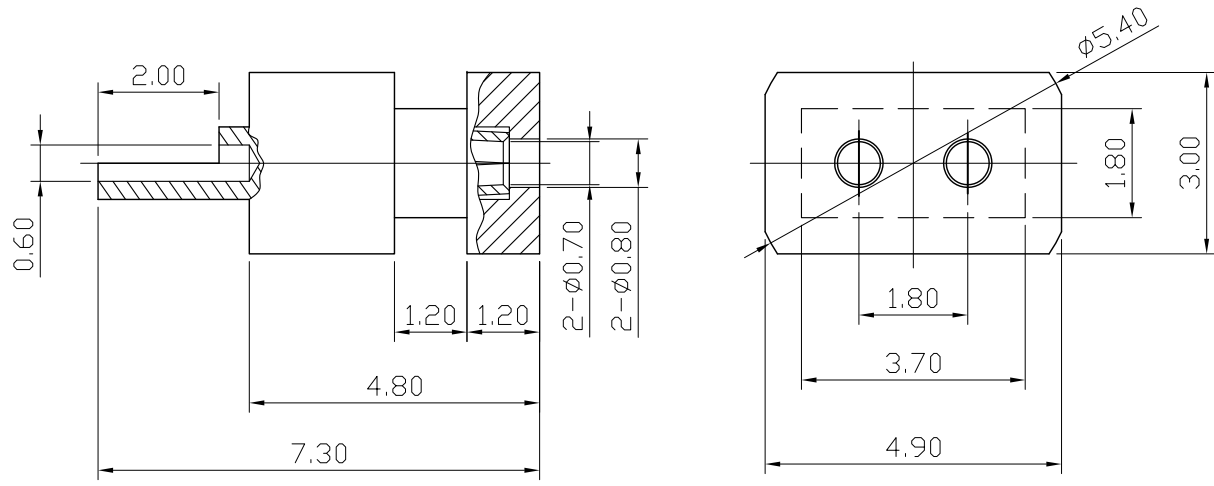
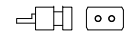



No.	DATE	DESCRIPTION	REV	REMARK : RoHS REQUIREMENT APPLIED (符合RoHS)	DATE	DRAWING NO.
-----	------	-------------	-----	---	------	-------------




 S 1 : 1

-						DIMENSIONS ARE IN MILLIMETERS UNLESS OTHERWISE SPECIFIED TOLERANCES (一般公差) 0.5~6 = ±0.2 >6~30 = ±0.4 >30~120 = ±0.6 >120~315 = ±1 >315~1000 = ±1.6 ANGLES(角度) = ±5°	CHECKED	 雅鈦企業有限公司 Aec Connectors Co., Ltd.			
-					DRAWN						
-					<i>Chad</i>		TITLE				
-					DATE		IEM 2 PIN JACK SCOKET				
-	contact pin	2	beryllium copper	gold (3u")	2016. 06. 24		DRAWING NO.				
-	body	1	POM	black		IJ-001G-POM					
NO.	Description	Unit	Materials	Finish	Drawing No.	SCALE	8 : 1	UNIT	MM	FILE NO.	DRAWINGVAUDIOIJIJ-001G-POM